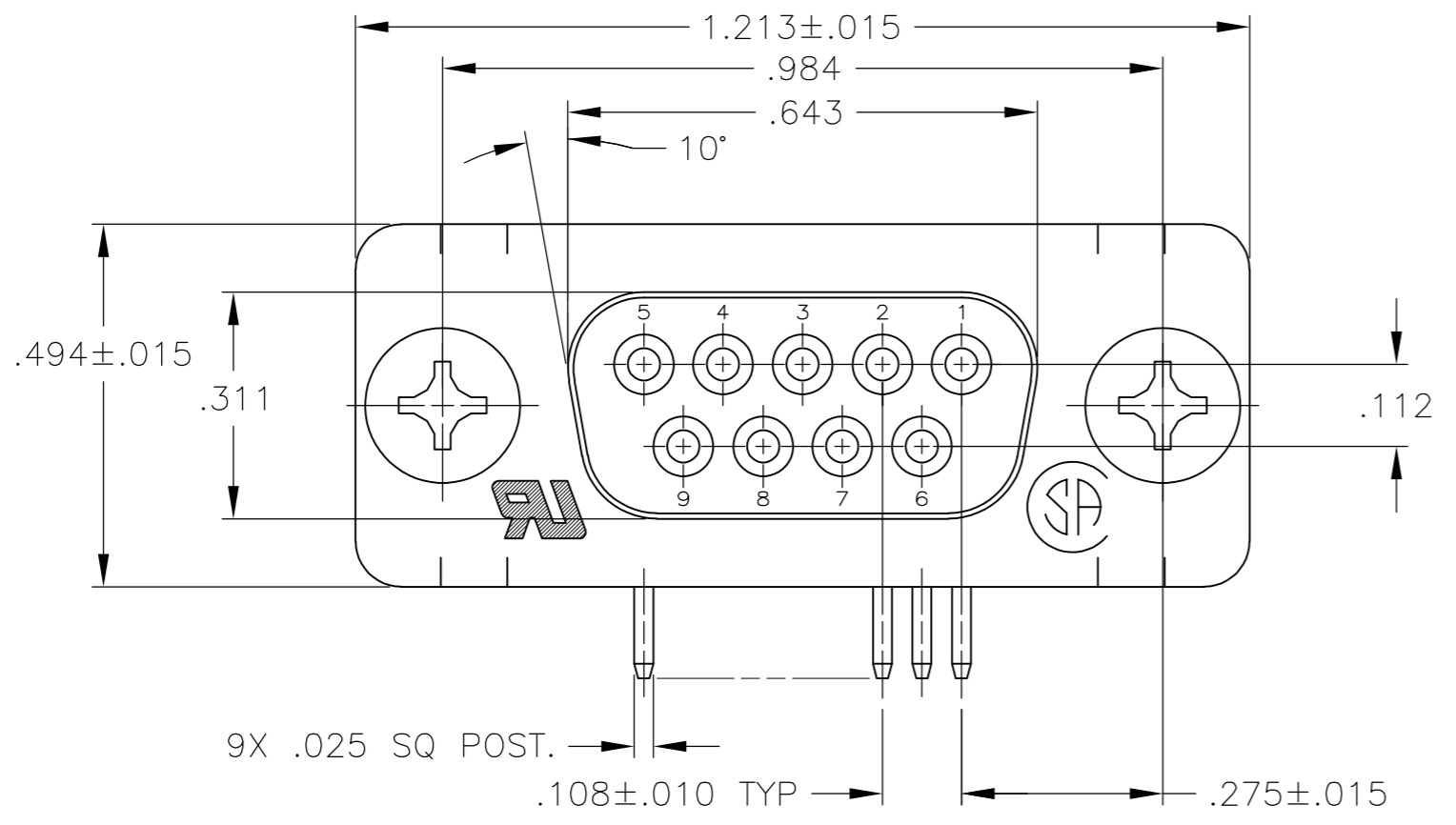
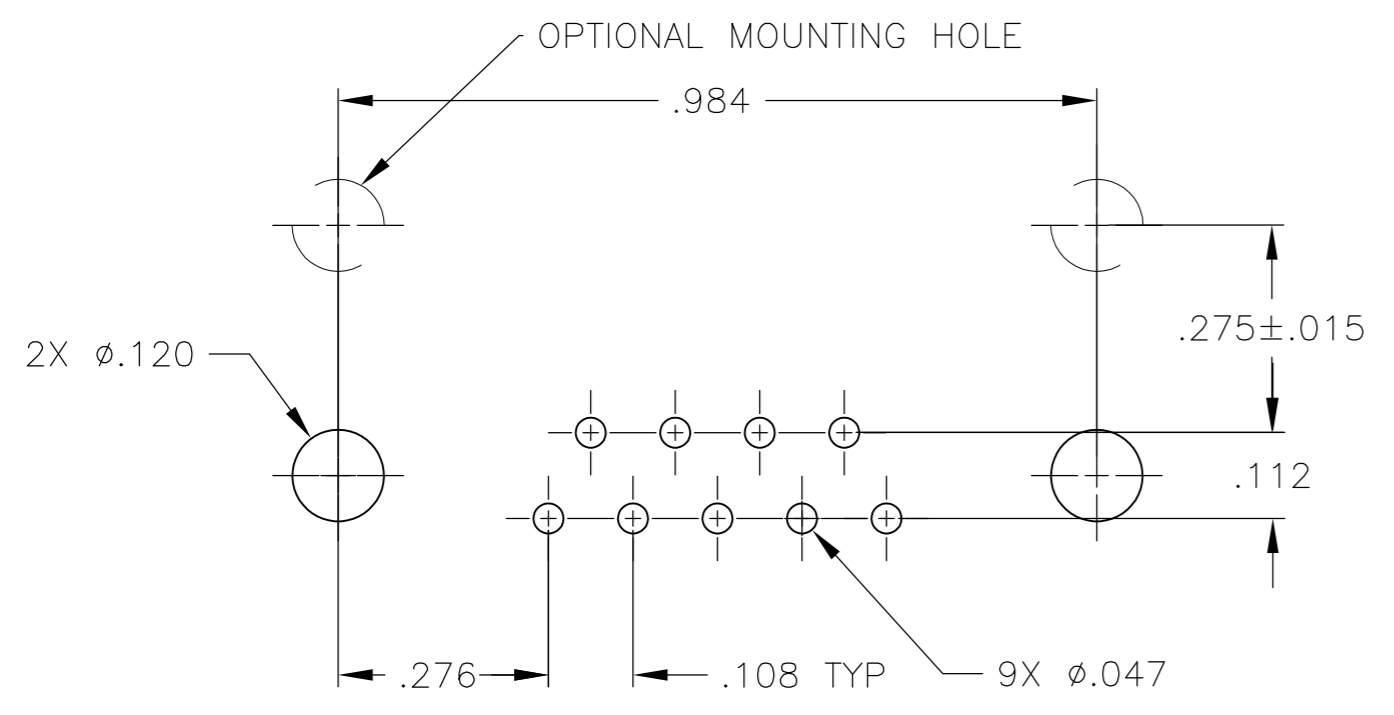
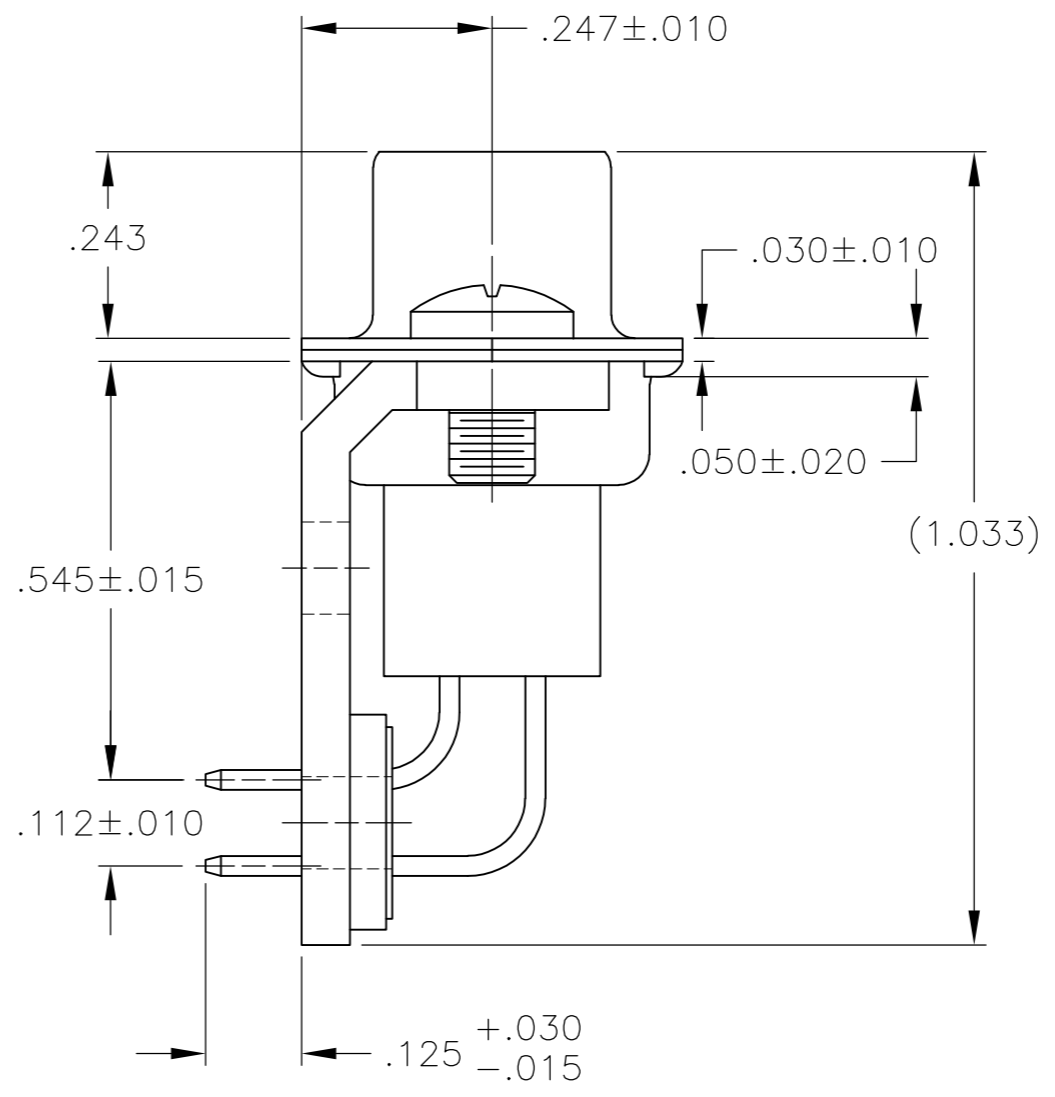
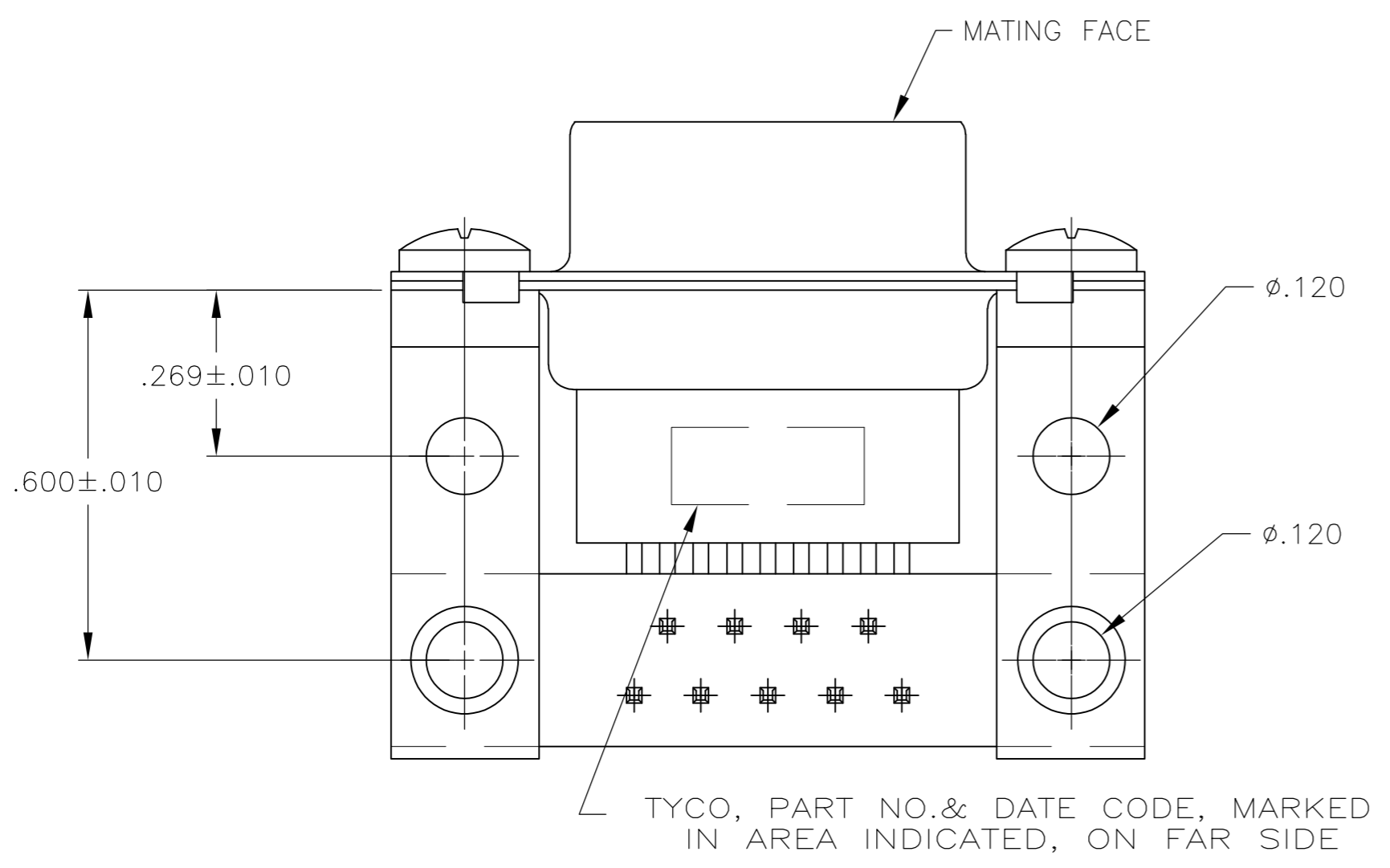


THIS DRAWING IS UNPUBLISHED. RELEASED FOR PUBLICATION
 © COPYRIGHT 2005 By - ALL RIGHTS RESERVED.

LOC		DIST		REVISIONS					
P	LTR	DESCRIPTION	DATE	DWN	APVD				
GP	00			A		REVISED PER ECO-14-011808	11AUG2014	AP	SB



- 1 MOLDED PARTS: GLASS-FILLED PBT OR GLASS-FILLED NYLON, L94V-0 RATED. COLOR: BLACK.
SHELLS & BRACKETS: CARBON STEEL
CONTACTS: PHOS BRONZE
- 2 SHELLS & BRACKETS: ZINC PLATED YELLOW CHROMATE COATING.
CONTACTS: GOLD FLASH FOR A LENGTH OF .100 MINIMUM FROM MATING END, .000100 MINIMUM TIN ON OPPOSITE END, BOTH OVER .000050 MINIMUM NICKEL.



P.C. BOARD MOUNTING DIMENSIONS

5205866-1
PART NUMBER

THIS DRAWING IS A CONTROLLED DOCUMENT.		DWN	G.PETERS	17OCT05		TE Connectivity		
DIMENSIONS: INCHES		CHK	S.BOLASH	17OCT05		NAME		
TOLERANCES UNLESS OTHERWISE SPECIFIED:		APVD	M.WALMSLEY	17OCT05		RECEPTACLE ASSEMBLY, SIZE 1, 9 POS., RIGHT ANGLE, .545 SERIES, .025 SQ. POSTS, AMPLIMITE HDP		
0 PLC ± - 1 PLC ± - 2 PLC ± - 3 PLC ± ±.005 4 PLC ± - ANGLES ± ±2° FINISH		PRODUCT SPEC	108-40025	APPLICATION SPEC		114-40013	SIZE	A2
MATERIAL	1	WEIGHT	-	CAGE CODE	00779	DRAWING NO	C=5205866	
FINISH		2		RESTRICTED TO	-			
CUSTOMER DRAWING				SCALE	4:1	SHEET	1 of 1	
				REV	A			

5205866